

## Model 4 Basket Strainer and Bag Filters

Strainers or Bag Filters:  
Your Choice!

Model 4 strainer/filter housings are made in 2 sizes and 4 pressure ratings. In all cases, covers are easily removed without special tools, and the basket or bag is easily cleaned or replaced.

### Features

- Low pressure drops
- Permanently piped housings
- Covers are O-ring sealed
- Carbon steel, or stainless steel (304 or 316) construction for housings
- All housings are electropolished to resist adhesion of dirt and scale
- Easy to clean!
- Adjustable-height legs, optional
- O-ring seals: Buna N, EPR, Viton®, Teflon®
- ASME code stamp available on select models
- Liquid displacers for easier servicing
- Four pressure ratings: 200 psi (with clamp cover) and 150, 300, or 500 psi (with eyenut cover)
- Duplex units are available
- Pipe sizes 3/4 thru 2-inch, NPT or flanged (standard 150 class flange)
- Two basket depths: 6, or 12 inches (nominal)

### Options

- Bag filter hold-down devices
- Sanitary construction
- Different outlet connections
- Higher pressure ratings
- Extra-length legs
- Heat jacketing
- Epoxy coating
- Displacers
- Magnets



Covers are secured by three eyenut assemblies. One of them acts as a hinge, when the cover is opened.



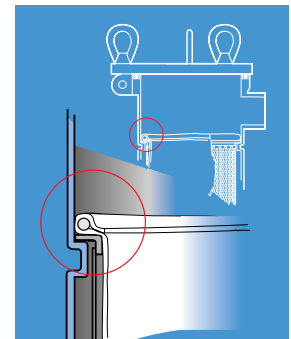
### Choosing A Basket Strainer Or Bag Filter

Choose between straining (removing particles down to 74 micron size) or filtering a fluid (removing particles down to 1 micron). This will direct you to choose the correct basket when ordering.

### Operation

Unfiltered liquid enters the housing above the bag or basket and flows through. Solids are contained inside the bag or basket, where they're easily and completely removed when the unit is serviced.

Fluid bypass around the basket is prevented because the filter bag seals radially against the housing inside diameter. A single cover gasket is used to seal the opening, and covers can be installed and removed without tools.



### Pressure Drop Data

Basket strainers and bag filters are usually selected so that the pressure drop does not exceed 2 psi when they are clean. Higher pressure drops may be tolerated when contaminant loading is low. Bag change-out should occur at 15 psid.

The pressure drop data is accurate for all housings with strainer or bag filter baskets. When filter bags are added, total pressure drop becomes the sum of the pressure drop as determined by the steps below.

#### Follow these easy steps:

1. Using the desired pipe size and approximate flow rate, determine the basic pressure drop from the appropriate graph.
2. Multiply the pressure drop obtained in step 1 by the viscosity correction factor found in the accompanying table. This is the adjusted (clean) pressure drop for all baskets, without filter bags.
3. Add the pressure drop for the bag filter.

**Note:** Filter bags are specified separately. See page 134.

Bag Style and	Viscosity, cps								
	1 (H <sub>2</sub> O)	50	100	200	400	600	800	1000	2000
All unlined baskets	.65	.85	1.00	1.10	1.20	1.40	1.50	1.60	1.80
40-mesh lined	.73	.95	1.20	1.40	1.50	1.80	1.90	2.00	2.30
60-mesh lined	.77	1.00	1.30	1.60	1.70	2.10	2.20	2.30	2.80
80-mesh lined	.93	1.20	1.50	1.90	2.10	2.40	2.60	2.80	3.50
100-mesh lined	1.00	1.30	1.60	2.20	2.40	2.70	3.00	3.30	4.40
200-mesh lined	1.30	1.70	2.10	3.00	3.40	3.80	4.40	5.00	6.80

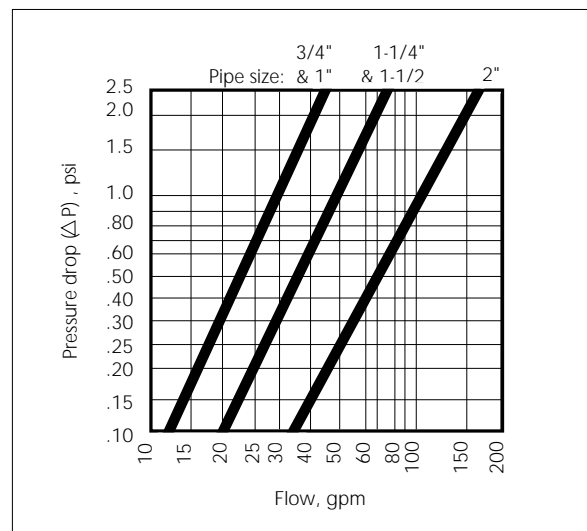
### Basket Data

Depth Nominal (inches)	Diameter (inches)	Surface Area (sq. ft.)	Volume (cu. in.)	Bag Size No.
6	3.9	0.5	65	3
12	3.9	1.0	130	4

### Model 4—For flow rates to 50 gpm\*



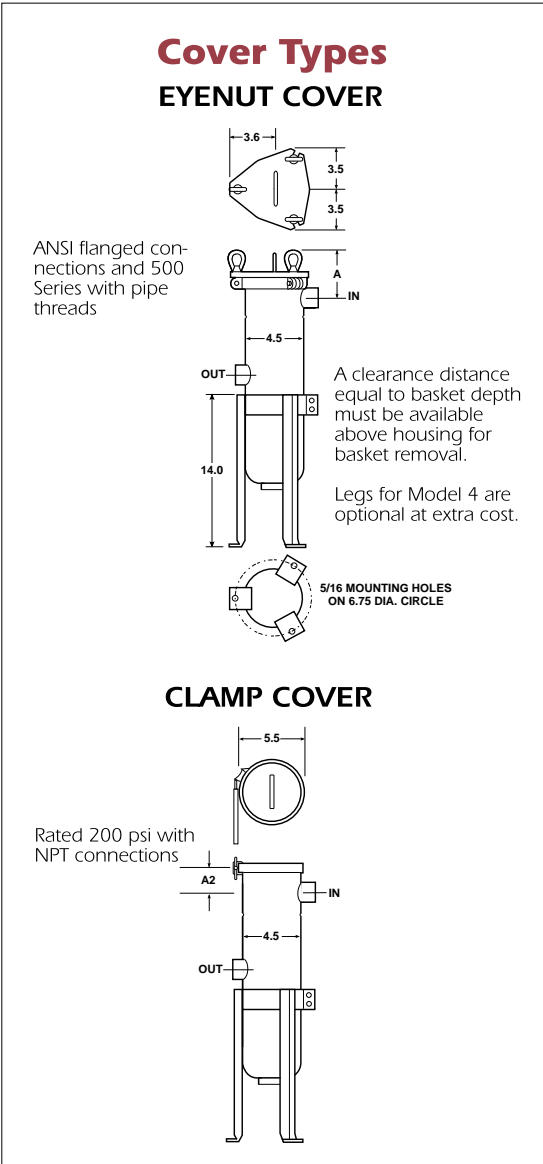
Clamp covers to the left and center, and eyenut cover to the right.



\*Based on housing only. Fluid viscosity, bag filter used, and expected dirt loading should be considered when sizing a filter.

MODEL 4 BASKET STRAINER AND BAG FILTERS

**Dimensions (IN)**

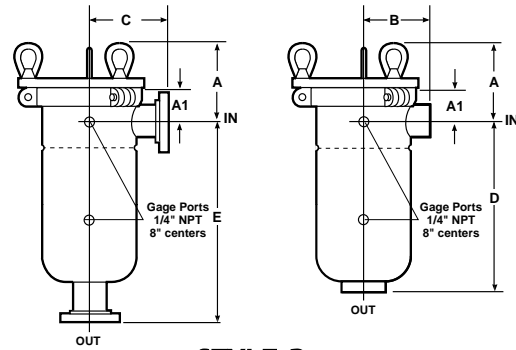


**Outlet Styles**

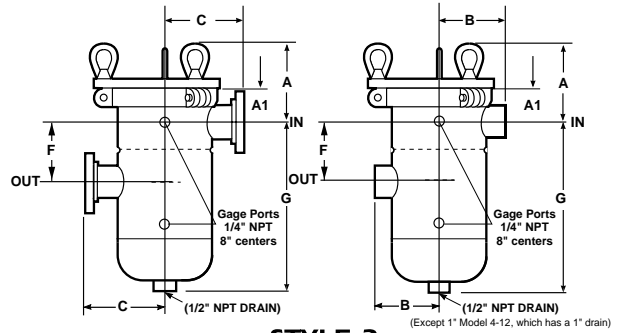
Flanged  
(150 lb. ANSI)

Threaded  
(NPT)

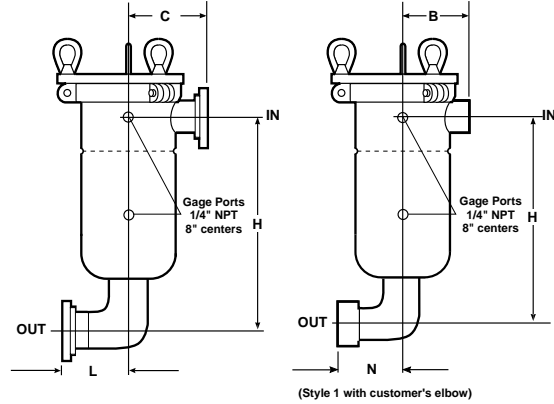
**STYLE 1**



**STYLE 2**



**STYLE 3**



**Dimensions (IN)**

Model	Pipe Size	A	A1	A2	B	C	D	E	F	G	H	L	N
4-6	3/4	5.5	1.9	2.3	3.5	5.0	10.0	12.0	4.5	10.1	10.5	4.0	2.0
	1	5.5	1.9	2.3	3.5	5.0	10.0	12.0	4.5	10.1	10.9	4.0	2.5
	1-1/4	6.1	2.5	2.9	3.5	5.0	9.4	12.0	4.5	9.5	10.6	4.0	2.9
	1-1/2	6.1	2.5	2.9	3.5	5.0	9.4	12.0	4.5	9.5	10.9	4.0	3.3
	2	6.1	2.5	2.9	3.5	5.0	9.3	12.0	4.5	9.5	11.6	5.0	4.0
4-12	3/4	5.5	1.9	2.3	3.5	5.0	16.0	18.0	4.5	16.1	16.5	4.0	2.0
	1	5.5	1.9	2.3	3.5	5.0	16.0	18.0	4.5	16.1	16.9	4.0	2.5
	1-1/4	6.1	2.5	2.9	3.5	5.0	15.4	18.0	4.5	15.5	16.6	4.0	2.9
	1-1/2	6.1	2.5	2.9	3.5	5.0	15.4	18.0	4.5	15.5	16.9	4.0	3.3
	2	6.1	2.5	2.9	3.5	5.0	16.3	18.0	4.5	15.5	17.6	5.0	4.0

Dimensions are reference only and should not be used for hard plumbing. Consult factory for certified drawings.

# How To Order

Build an ordering code as shown in the example

**HOUSING**                      **OPTIONS**

**Example: 4 - 12 - 2P - 1 - 500 - C - B - S - M 200 - D - C**

<p><b>MODEL NO.</b> 4 = <b>4</b> LCO 4 = <b>LCO 4</b></p> <p><b>HOUSING SIZE</b> 6 inch = <b>6</b> 12 inch = <b>12</b></p> <p><b>PIPE SIZE, NPT and FLANGED<sup>1</sup></b> 3/4-in. female NPT = <b>3/4P</b> 1-in. female NPT = <b>1P</b> 1-1/4-in. female NPT = <b>1-1/4P</b> 1-1/2-in. female NPT = <b>1-1/2P</b> 2-in. female NPT = <b>2P</b> 3/4-in. 150 class ANSI flange = <b>3/4F</b> 1-in. 150 class ANSI flange = <b>1F</b> 1-1/4-in. 150 class ANSI flange = <b>1-1/4F</b> 1-1/2-in. 150 class ANSI flange = <b>1-1/2F</b> 2-in. 150 class ANSI flange = <b>2F</b></p> <p><b>OUTLET STYLE</b> Bottom = <b>1</b> Side = <b>2</b> Bottom elbow = <b>3</b></p> <p><b>PRESSURE RATING<sup>2</sup></b> 150 psi (flanged) = <b>150</b> 200 psi (NPT) (LCO 4 only) = <b>200</b> 300 psi (flanged) = <b>300</b> 500 psi (NPT) = <b>500</b></p> <p><b>HOUSING MATERIAL</b> Carbon steel = <b>C</b> 304 stainless steel = <b>S</b> 316 stainless steel = <b>S316</b></p>	<p><b>ASME CODE STAMP</b> <b>C</b> = Code</p> <p><b>DISPLACER</b> <b>D</b> = Displacer</p> <p><b>BASKET, MEDIA SIZE</b> <b>No symbol if type B basket was selected</b> Perforation diameters (for type P baskets) 1/4, 3/16, 9/64, 3/32, 1/16 Mesh sizes (for type M and BM baskets) 20, 30, 40, 50, 60, 70, 80, 100, 150, 200</p> <p><b>BASKET TYPE</b> <b>PB</b> = Filter bag basket, 9/64 perforations<sup>3</sup> <b>P</b> = Strainer basket, perforated metal <b>BM</b> = Filter bag basket, perforated, mesh lined<sup>3</sup> <b>M</b> = Strainer basket, perforated, mesh lined with spring handle <b>HWM</b> = Filter bag basket, heavy wire mesh<sup>3</sup></p> <p><b>BASKET SEAL</b> <b>N</b> = No seal (with bag type baskets) <b>S</b> = Seal required (on strainer type baskets)</p> <p><b>COVER SEAL</b> <b>B</b> = Buna N <b>E</b> = Ethylene Propylene</p> <p><b>Eyenuit Cover Only</b> <b>V</b> = Viton® Fluoroelastomer <b>TEV</b> = Teflon® Encapsulated Viton® <b>TSW</b> = Teflon® (solid white)</p>
--	---

1. Flanges provided with the housing match the pressure rating of the vessel. Housings rated 150 psi have 150 class flanges. Housings rated 300 psi have 300 class flanges. ANSI B16.5 Pressure-Temperature rating tables determine flange class for ASME code housings. Consult factory.
2. Higher pressure ratings available. Consult factory.
3. Filter bags are specified separately. See page 134.
4. 150 psi unit has 150 class flanges. 300 psi unit has 300 class flanges. 200 and 500 unit available in NPT only.